

FEATURES

The W015 spin-on filter provides an economical solution for use on mobile equipment and industrial power units. Our versatile head provides for use with a wide selection of gauges and switches. The popular E0211 series spin-on elements interchange with our W021/023 and W022 filter heads.

Western filter's spin-ons fit many competitor heads and are shipped with both a narrow and rectangular gasket.

Technical Data:

Maximum Working Pressure	200 psi (14 bar)	
Rated Burst Pressure	300 psi max (20.7 bar)	
Temperature Range	Operating -45°F to + 225°F (-43°C to + 107°C)	
Head Material	Die cast aluminum	
Canister Material	Steel	
Seal Material	Buna N	
Weight		
Assembly		
Length 1	4.0 lbs.	(1,8 kg.)
Length 2	5.0 lbs.	(2.27 kg.)
Canister		
Length 1	2.0 lbs.	(0,9 kg.)
Length 2	3.0 lbs.	(1,4 kg.)

W015

60 gpm (227 l/min)

Both NPT and SAE threads available

Replacement elements are available in R-Pak™, P-Pak™ and W-pak™

Canister interchangeable with other heads

In-line mounting for easy servicing



ACCESSORIES

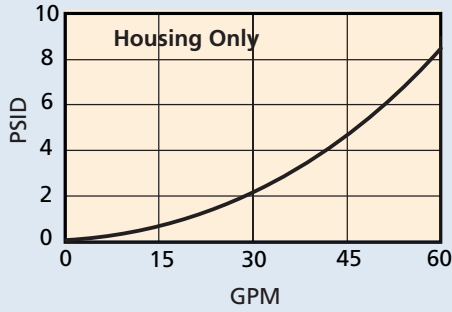
Breather adapter 1-1/2" NPT

P-077002

Housing and Filter Element

Flow versus Pressure Drop

150 SUS (32 cSt.) oil with specific gravity ≤ 0.9

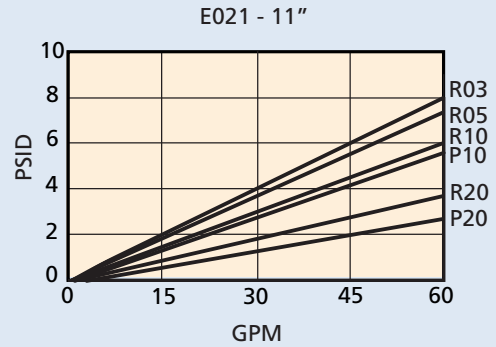
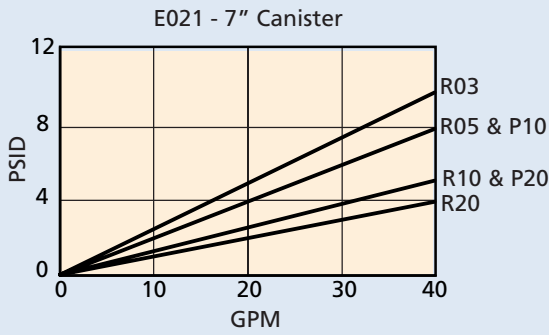


Viscosity Correction Formula

$$\Delta P \text{ Element} = \text{psid from catalog} \times \frac{\text{New Viscosity (SUS)}}{150} \times \frac{\text{New Specific Gravity}}{0.90}$$

$$\Delta P \text{ Housing} = \text{psid from catalog} \times \frac{\text{New Specific Gravity}}{0.90}$$

$$\Delta P \text{ Assembly} = \Delta P \text{ Element} + \Delta P \text{ Housing}$$



LOW PRESSURE
SPIN-ON FILTERS

MEDIUM PRESSURE
SPIN-ON FILTERS

IN-TANK FILTERS

LOW PRESSURE FILTERS

MEDIUM PRESSURE FILTERS

HIGH PRESSURE FILTERS

Filter Assembly	W015 TABLE 1	1 TABLE 2	C TABLE 3	3 TABLE 4	4 TABLE 5	B TABLE 6	1 TABLE 7	R TABLE 8	10 TABLE 9
Service Element	E021 TABLE 1	1 TABLE 2	B TABLE 6	1 TABLE 7	R TABLE 8	10 TABLE 9			

Table 1

Filter Assembly / Service Element	
CODE	DESCRIPTION
W015	Assembly
E021	Element

Table 2

Element Collapse Options	
CODE	DESCRIPTION
1	150 psid for housing w/bypass valve

Table 3

Port Size Options	
CODE	PORT SIZE
C	1-5/8" - 12 UN (SAE-20)
I	1-1/4" NPT

Table 4

Bypass Setting Options	
CODE	BYPASS SETTING
1	Non-bypass (blocked)*
3	25 psid
4	50 psid

*80 psid maximum operating pressure

Table 5

Upstream Pressure Gauge and Switch Option	
CODE	INDICATOR STYLE & SETTING
1	Gauge ports drilled, tapped and plugged
2	0-200 psi pressure gauge**
3	0-60 psi pressure gauge**
4	0-60 psi pressure gauge*
6	Pressure switch 18 psi Brad Harrison (5-pin)
7	Pressure switch 35 psi Brad Harrison (5-pin)
8	Pressure switch 18 psi Hirschmann (4-pin)
9	Pressure switch 35 psi Hirschmann (4-pin)

*Bypass setting option code 3 only

**Bypass setting option code 4 only

Table 6

Seal Options	
CODE	MATERIAL
B	Buna N

Table 7

Assembly & Element Length	
CODE (LGTH)	CANISTER LENGTH
1 (8.9")	7.0"
2 (12.9")	11.0"

Table 8

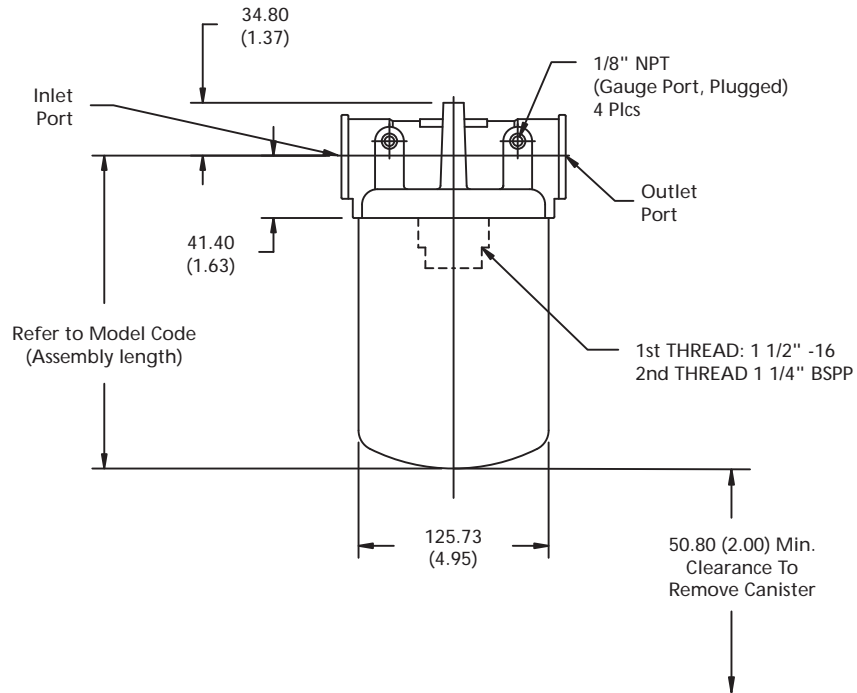
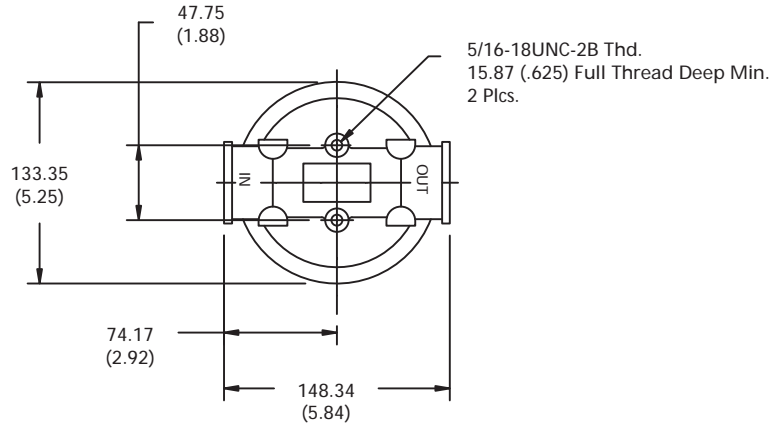
Element Code	
CODE	DESCRIPTION
P	(Cellulose) 10, 20
R	(Glass) 03, 05, 10, 20
W	(Water absorbent) 10 canister length 2 (11") only

Table 9

Media Rating	
CODE	TARGET FLUID CLEANLINESS LEVEL
03	16/14/12 or better
05	18/16/14 or better
10	20/18/15 or better
20	22/19/16 or better

Note: Information concerning fluid cleanliness codes is on page 6, the Media Grade Selection Guide.

Dimensions: millimeters/(inches)



LOW PRESSURE
SPIN-ON FILTERS

MEDIUM PRESSURE
SPIN-ON FILTERS

IN-TANK FILTERS

LOW PRESSURE FILTERS

MEDIUM PRESSURE FILTERS

HIGH PRESSURE FILTERS